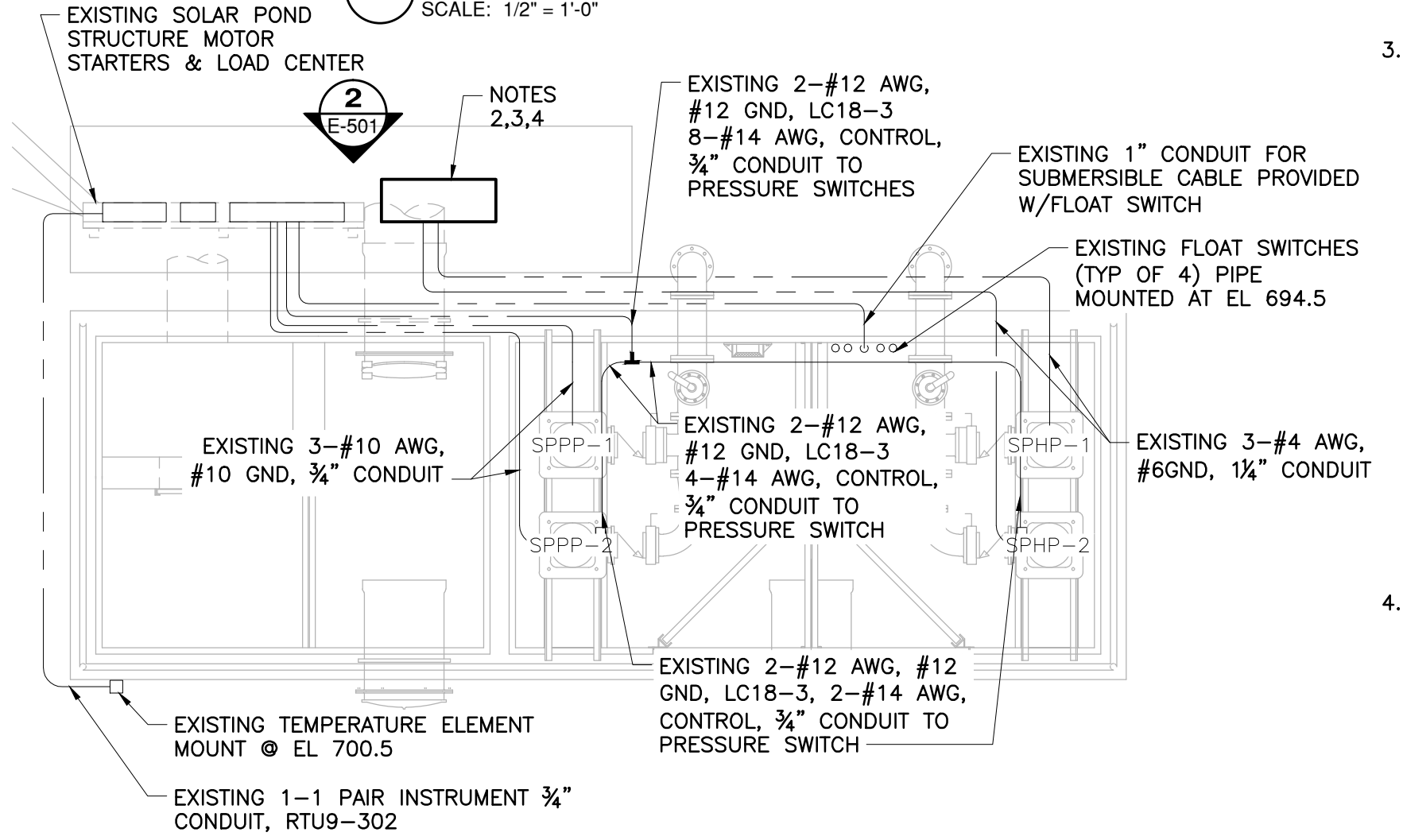


2 SOLAR POND ELECTRICAL - ELEVATION
SCALE: 1/2" = 1'-0"



1 SOLAR POND STRUCTURE PUMP ELECTRICAL
SCALE: 1/4" = 1'-0"

NOTES:

1. CONTRACTOR SHALL FURNISH AND INSTALL 3-1/0 AWG, #3 GROUND IN 1 1/2" CONDUIT TO EXISTING 400A CIRCUIT BREAKER AND TERMINATE. CONTRACTOR SHALL LB INTO ENCLOSURE OF CIRCUIT BREAKER. CONTRACTOR SHALL NOT USE EXISTING TROUGH TO ROUTE CONDUCTORS TO CIRCUIT BREAKER. CONTRACTOR SHALL COMPLY WITH ARTICLE 404.3 AND 312.6 OF THE NATIONAL ELECTRIC CODE FOR WIRE BENDING SPACE.
2. CONTRACTOR SHALL EXTEND CIRCUITS FROM SOLAR POND HATCHERY PUMPS SPHP-1 AND SPHP-2 TO NEW VARIABLE FREQUENCY DRIVE AND TERMINATE TO NEW DRIVE. CONTRACTOR MAY NEED TO FURNISH AND INSTALL NEW CONDUCTORS AND CONDUIT. SPLICES IN CONDUCTORS WILL NOT BE ALLOWED.
3. CONTRACTOR SHALL FURNISH AND INSTALL NEW VARIABLE FREQUENCY DRIVE. DRIVE SHALL BE AN ALLEN BRADLEY REFERENCE #FT1208221614LH REV 3. THE VARIABLE FREQUENCY DRIVE SHALL INCLUDE THE FOLLOWING:
 - A. ENCLOSURE SHALL BE A NEMA 4.
 - B. CONTROL POWER TRANSFORMERS.
 - C. TWO - AUXILIARY RELAYS.
 - D. TWO - DOOR MOUNTED SELECTOR SWITCHES.
 - E. TWO - LINE REACTORS.
 - F. TWO - LCD FULL NUMERIC HIM - DOOR MOUNTED.
 - G. TWO - POWERFLEX 400, FAN & PUMP DRIVE 208V, 3 PHASE, 69 AMPS, 20 HP.
 - H. TWO - SINGLE TURN POTENTIOMETER.
 - I. FUSED INPUT DISCONNECT.
 - J. TWO - FUSE BLOCKS, CLASS J, 3-POLE.
 - K. NEMA 4 HOFFMAN HINGED WINDOW FOR HIM AND POTENTIOMETERS.
 - L. ENCLOSURE SPACE HEATER.
 - M. NEMA 4 AIR CONDITIONER.
 - N. UL LABELED FOR ENTIRE ASSEMBLY.
 - O. STARTUP SERVICES AND DRIVE CONFIGURATION BY ALLEN BRADLEY.
4. CONTRACTOR SHALL FURNISH AND INSTALL 3-4/0 AWG, #2 GND IN 2 1/2" RIGID STEEL CONDUIT FROM VARIABLE FREQUENCY DRIVE TO SERVICE DISCONNECT LOCATED WITHIN 10 FEET OF VARIABLE FREQUENCY DRIVE, CONTRACTOR SHALL TERMINATE CONDUCTORS TO EXISTING 400A CIRCUIT BREAKER..

Path and filename: N:\Projects\89-30\89-30-38\Drawings\Electrical\89-30-38_E-501.dwg Printed on 04/16/13 3:38 PM by Mike Tuler

MARK	DATE	ISSUED	DESCRIPTION
0	8/19/12	ISSUED	

PROJECT NO: **89-30-38**
CAD DWG FILE: 89-30-38_E-501.dwg
DRAWN BY: JMT
DESIGNED BY: JDK
CHECKED BY: HDT
SHEET TITLE: **ELECTRICAL DETAILS**
E-501
SHEET **3** OF **3**